



## Euro Profile Mortice Locks

# Euro Profile Mortice Locks

## Optimum Hinged Door Multi-Point Mortice Locks

The Lockwood Optimum Mortice Lock range is easy to install and is available to suit hinged residential aluminium and timber door applications.

### Features and Specifications

- Easily reversible radiused latch bolt enables field selectable handing
- Durable mechanism and stainless steel faceplate
- Accepts either 7.6mm or 8mm spindle
- Latch can be deadlocked by key
- Short throw (13mm) and Long throw (24mm) locking bolt options available
- Provides multi-point locking when used with shootbolts (4 Point)
- Latch only version available (1 Point)
- 30mm and 40mm backset variants available in 4 Point version
- Door thickness: 32mm to 45mm
- Lock Status Indication available when used with Palladium Xtra furniture
- A range of strikes are available to provide optimal seal compression (strikes must be ordered separately)

### Lock Status Indicators

#### Passage Mode

Passage mode gives convenient access from inside and outside without the need for a key.

#### Safety Mode

Safety mode is activated and deactivated by operating the snib lever from inside and requires the key to unlock from the outside.

#### Secure Mode

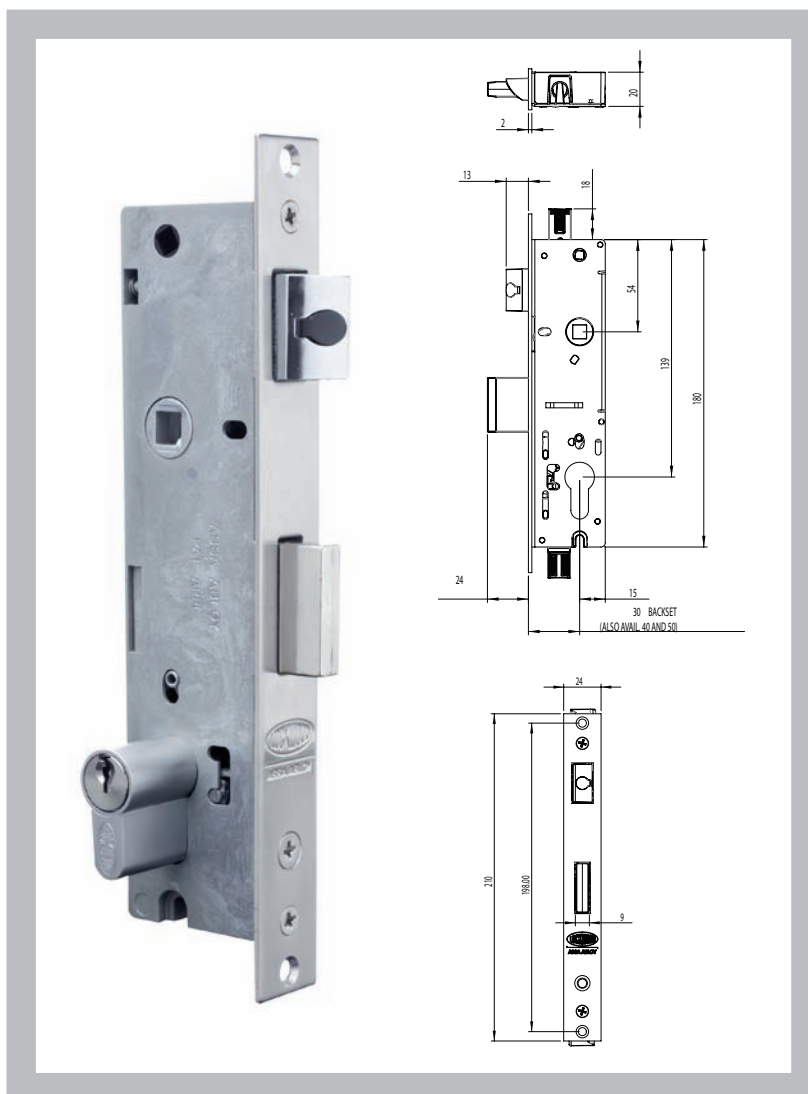
Handles locked securely from both inside and outside and requires the key to unlock from either side.

### Keying

Compatible with 5 pin or 6 pin fixed cam Euro profile cylinders. Cylinders must be ordered separately.

### Standard Finishes

Brushed stainless steel faceplate supplied



### Furniture Options

The Optimum range of locks is compatible with a range of lever on long plate furniture including Palladium and Palladium Xtra. Palladium Xtra furniture is required in order to use the Lock Status indicator.

### Ordering – Trade Pack

Description	Part Number
Optimum 1PT Hinged 30mm B/S	OP30/1LAN/SS
Optimum 2PT Hinged 30mm B/S Long Throw bolt	OP30/2PTL/SS
Optimum 2PT Hinged 30mm B/S Short Throw bolt	OP30/2PTS/SS
Optimum 4PT Hinged Shoot Bolt 30mm B/S Long Throw bolt	OP30/4SBL/SS
Optimum 4PT Hinged Shoot Bolt 30mm B/S Short Throw bolt	OP30/4SBS/SS
Optimum 4PT Hinged Shoot Bolt 40mm B/S Short Throw bolt	OP40/4SBS/SS

\* Strike plates are not included in lock pack and must be ordered separately.

# Euro Profile Mortice Locks

## Optimum Hinged Door Roller Bolt Mortice Locks

The Lockwood Optimum Roller Bolt Mortice Lock is designed to suit a wide range of door sizes for both timber and aluminium residential doors. The design allows for optimal latch adjustment and provides positive latching.

### Features and Specifications

- Adjustable latch projection from faceplate
- Adjustable latching strength from faceplate
- Durable mechanism and stainless steel faceplate
- 40mm and 50mm backset variants available
- Door thickness: 32mm to 45mm
- Lock Status Indication available when used with Palladium Xtra cylinder escutcheons
- A range of strike kits are available to suit specification door applications (strikes must be ordered separately)

### Lock Status Indicators

#### Passage Mode

Passage mode gives convenient access from inside and outside without the need for a key.

#### Secure Mode

Door locked securely from both inside and outside and requires the key to unlock from either side.

### Keying

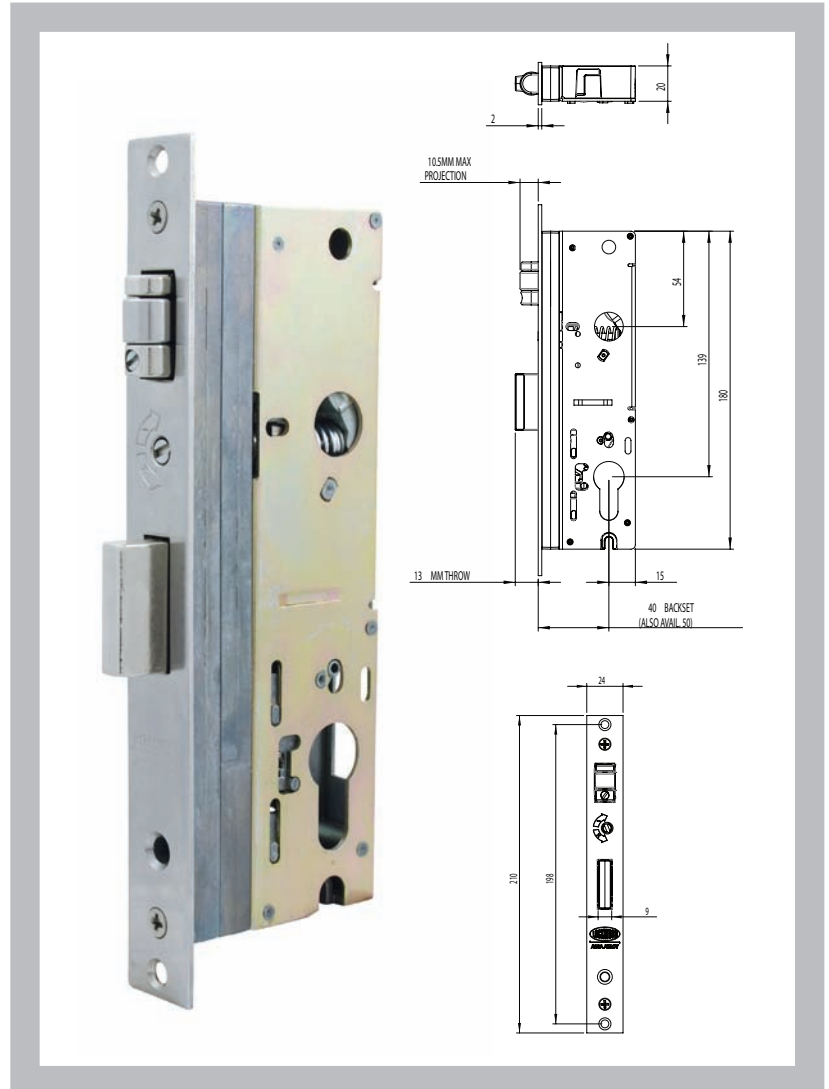
Compatible with 5 pin or 6 pin fixed cam Euro profile cylinders. Cylinders must be ordered separately.

### Standard Finishes

Brushed stainless steel faceplate supplied

### Furniture Options

The Optimum Roller Bolt locks are compatible with most cylinder escutcheons that suit euro profile cylinders. Palladium Xtra escutcheons are required in order to use the lock status indicator.



### Ordering – Trade Pack

Description	Part Number
Optimum 1PT Roller Bolt Lock 40mm B/S	OP40/1RBS/SS
Optimum 1PT Roller Bolt Lock 50mm B/S	OP50/1RBS/SS

# Euro Profile Mortise Locks

## Optimum Sliding Door Mortise Locks

The Lockwood Optimum Sliding Door Mortise Lock is designed to improve functionality in sliding door applications. Lock features the unique security of a single deadbolt with dual flyout beaks which prevent the door from being lifted.

### Features and Specifications

- Anti-lift deadbolt locking
- Anti-slam pin protection prevents accidental damage to the lock bolt
- Durable mechanism and stainless steel faceplate
- 30mm and 40mm backset variants available
- Door thickness: 32mm to 45mm
- Lock Status Indication available when used with Palladium Xtra cylinder escutcheons
- Fixed or adjustable strike options (strikes must be ordered separately)

### Lock Status Indicators

#### Passage Mode

Passage mode gives convenient access from inside and outside without the need for a key.

#### Secure Mode

Door locked securely from both inside and outside and requires the key to unlock from either side.

### Keying

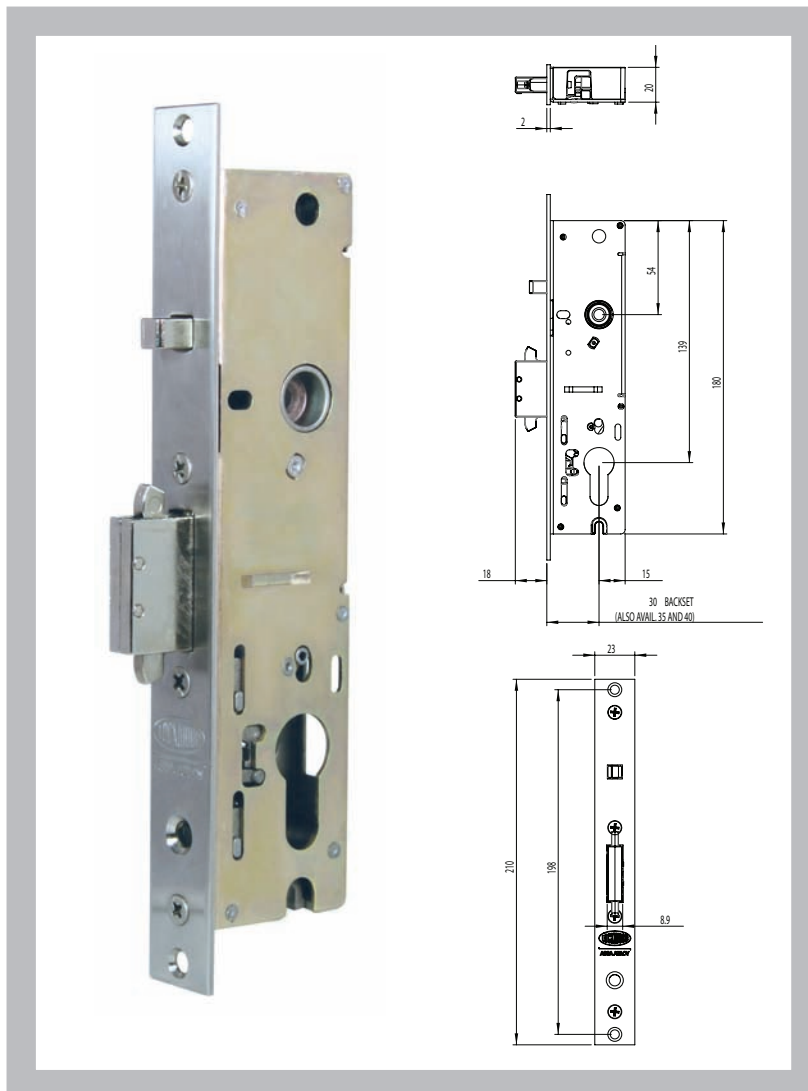
Compatible with 5 pin or 6 pin fixed cam Euro profile cylinders. Cylinders must be ordered separately.

### Standard Finishes

Brushed stainless steel faceplate supplied

### Furniture Options

The Lockwood Aria D handle is recommended for use with Optimum Sliding Door Lock. Palladium Xtra escutcheons are required in order to use the lock status indicator.



### Ordering – Trade Pack

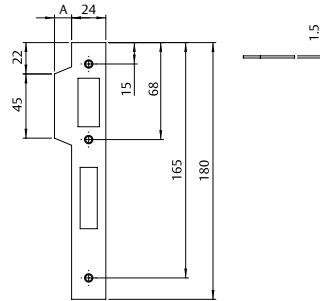
Description	Part Number
Optimum 1PT Sliding Door Lock 30mm B/S	OP30/1SDN/SS
Optimum 1PT Sliding Door Lock 40mm B/S	OP40/1SDN/SS
Optimum 3PT Sliding Door Lock 30mm B/S	OP30/3SDN/SS

# Euro Profile Mortice Locks

## Optimum Mortice Lock Accessories

### Standard / Extended Lip Hinged Door Strikes

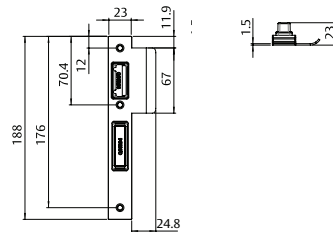
Part Number	Dimension "A"
OPS001SS	12mm
OPS002SS	43mm
OPS003SS	60mm



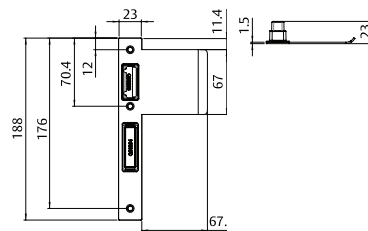
### Strike and Strike Box Kits

All kits include insert for roller bolt lock if required

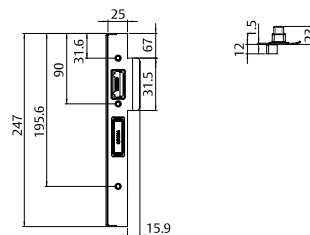
Timber Door Strike Kit	
Part number	Handing
P3352CDLSS	Left hand
P3352CDRSS	Right hand



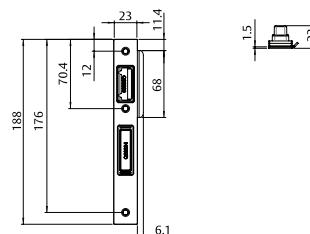
Timber Door Extended Strike Kit	
Part number	Handing
P3352TCLSS	Left hand
P3352TCRSS	Right hand



Timber Door Rebate Kit	
Part number	Handing
P3352TFLSS	Left hand
P3352TFRSS	Right hand

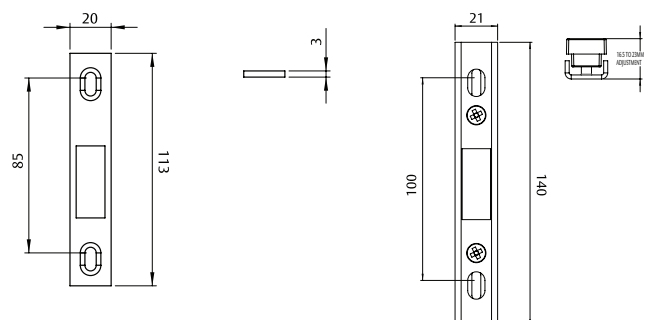


Aluminium French Door Kit	
Part number	Handing
P3352AFLSS	Left hand
P3352AFRSS	Right hand



### Sliding Door Strikes

Sliding Door Strikes	
Part number	Type
P33600	Adjustable
PQ70188	Fixed



# Euro Profile Mortice Locks

## Optimum Mortice Lock Accessories

### Cylinder Escutcheons

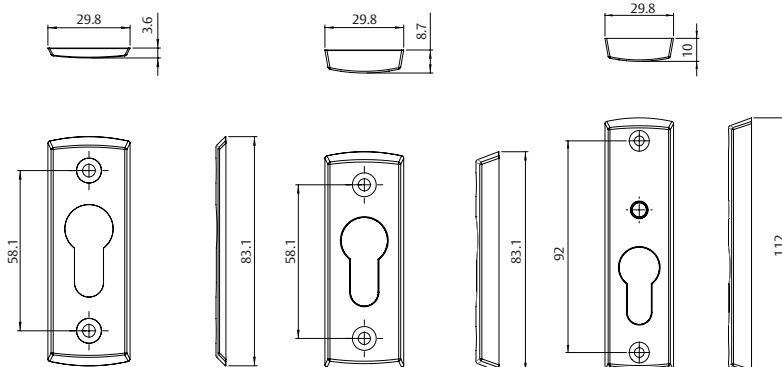
Ideal for use with the Sliding Door and Roller Bolt Locks.

#### Standard Finishes

Black	BLK
Satin Chrome Pearl	SP
Polyester Powder Coat	PPC

#### Part number Description

PA2101	Palladium Low Profile Cylinder Escutcheon
PA2102	Palladium High Profile Cylinder Escutcheon
PA2202	Palladium High Profile Cylinder Escutcheon Pair (x2)
PA2103	Palladium Xtra (Indicating) High Profile Cylinder Escutcheon



### Aria D Handle

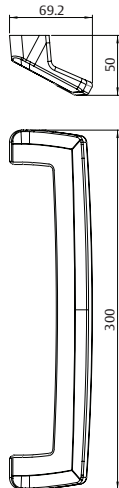
Designed for use with the Optimum Sliding Door Locks, suits door thickness from 25-70mm.

#### Standard Finishes

Satin Chrome Pearl	SP
Polyester Powder Coat	PPC

#### Part number Description

PH320/27	Aria D Handle Back to Back Set
PH321/27	Aria D Handle Internal Half Set

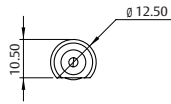


# Euro Profile Mortice Locks

## Optimum Mortice Lock Accessories

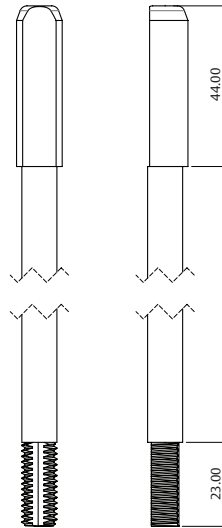
### Shoot Bolt Rods

For use with 4PT Hinged and 3PT Sliding Door Locks. Kit includes 1m and 1.3m rods, rod ends and tips



#### Part number

P33096



### Multipoint Extension Kit

For use with 4PT Hinged and 3PT Sliding Door Locks on doors over 2.4m

#### Part Number

P84017

# Euro Profile Mortise Locks

## Cylinder – Euro Profile Fixed Cam

### Application/Description

Cylinder to suit Lockwood Defender Mortise Lockset.

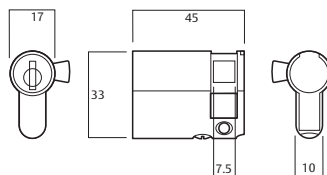
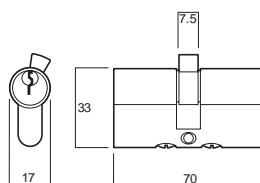
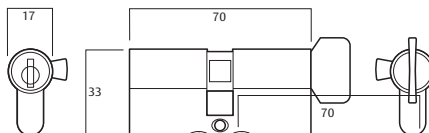
### Features and Specifications

- Available in two popular finishes
- 6 pin, C4 key profile, fixed cam cylinders, designed to suit a range of applications
- Solid brass/zinc diecast construction
- Meets requirements of Australian Door Lock Standard AS4145.2 – 1993 Level K3

### Finishes

Gold GLD  
 Chrome Plate CP

Non standard finishes are unavailable.



### Cylinder Ordering Procedures – Trade Pack

Available in Trade Only.

#### Double Cylinder - Fixed Cam

Gold	9555-102PBP
Chrome Plate	9555-102CP

#### Cylinder and Turnknob - Fixed Cam

Chrome Plate	9555-202CP
--------------	------------

#### Single Cylinder - Fixed Cam

Chrome Plate	9555-502CP
--------------	------------



ASSA ABLOY is the global leader in door opening solutions, dedicated to satisfying end-user needs for security, safety and convenience



Lockwood is the leading brand in the Australian locking industry. With an established reputation for high quality products, this iconic brand provides a wide range of locking solutions to residential housing, commercial building and industrial application markets. Lockwood is supported by an extensive distribution and after-sales support network. Our customers include retailers, architects, trade and industrial personnel, locksmiths and security dealers.

## ASSA ABLOY

ASSA ABLOY is the global leader in door opening solutions, dedicated to satisfying end-user needs for security, safety and convenience.

ASSA ABLOY is represented in all major regions, in both mature and emerging markets, with leading positions in Australia, Europe and North America.

As the world's leading lock group, ASSA ABLOY offers a more complete product range of door opening solutions than any other company in the market.

**Australia**  
**1300 LOCK UP (1300 562 587)**  
**lockweb.com.au**

**New Zealand**  
**+64 9415 7111**  
**assaabloy.co.nz**

ASSA ABLOY Australia Pty Ltd  
235 Huntingdale Road  
Oakleigh, Victoria, 3166  
Australia

info.au@assaabloy.com  
assaabloy.com.au

ASSA ABLOY New Zealand Ltd  
6 Armstrong Road  
Albany, North Shore City, 0632  
New Zealand

info.nz@assaabloy.com  
assaabloy.co.nz

